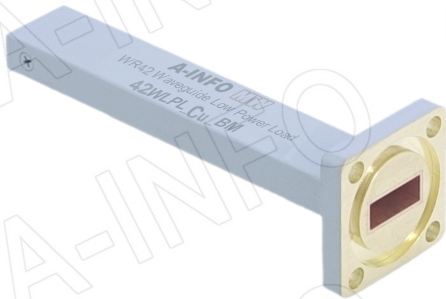


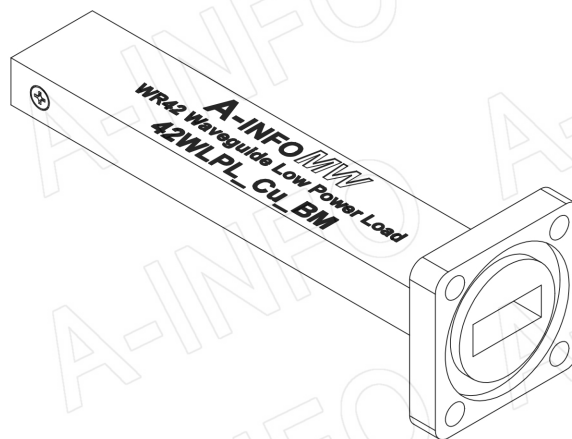
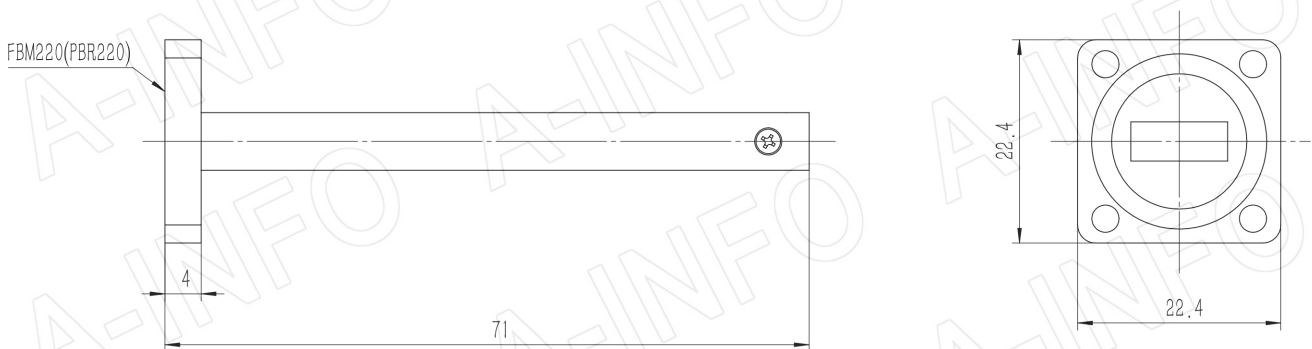
For reference only. See data sheet for the detailed specifications.

Technical Specification

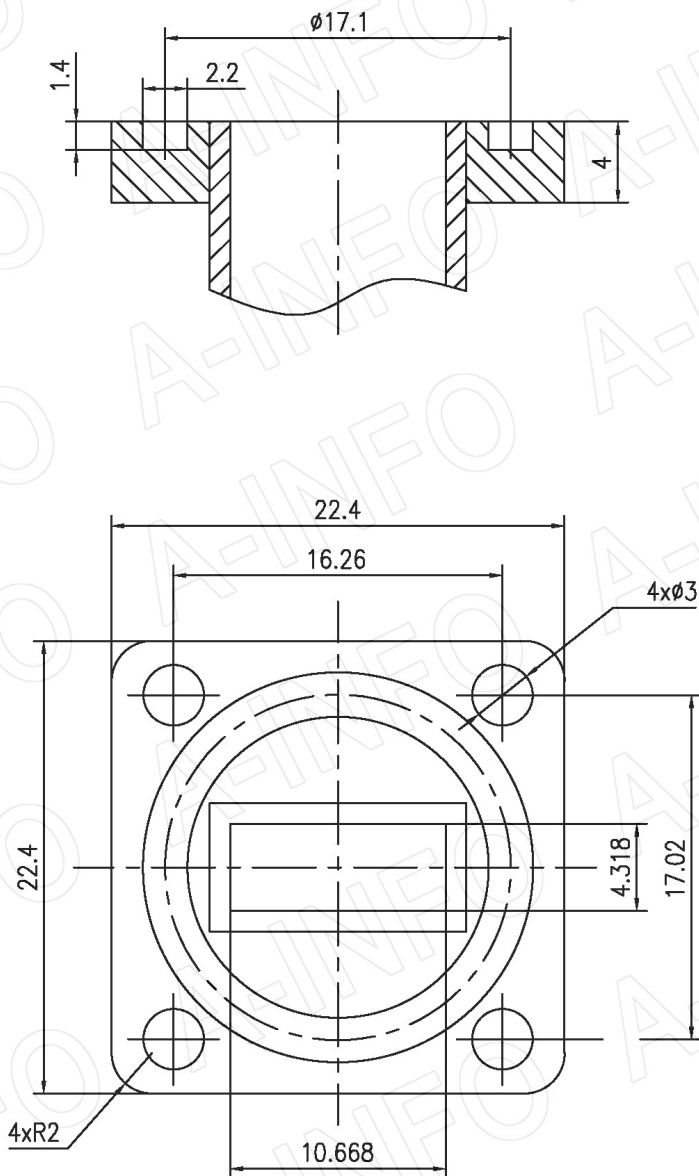


| | |
|----------------------|------------------|
| EIA WR | WR42 |
| Frequency Range(GHz) | 18.0 – 26.5 |
| VSWR | 1.05:1 Max. |
| Average Power(W CW) | 0.5 |
| Peak Power(KW) | 0.5 |
| Flange | FBM220(PBR220) |
| Material | Cu |
| Size(mm) | 71 x 22.4 x 22.4 |
| Net Weight(Kg) | 0.05 Around |

Outline Drawing (Size: mm)



Flange Drawing (Size: mm)



FBM220

Test Results

VSWR

